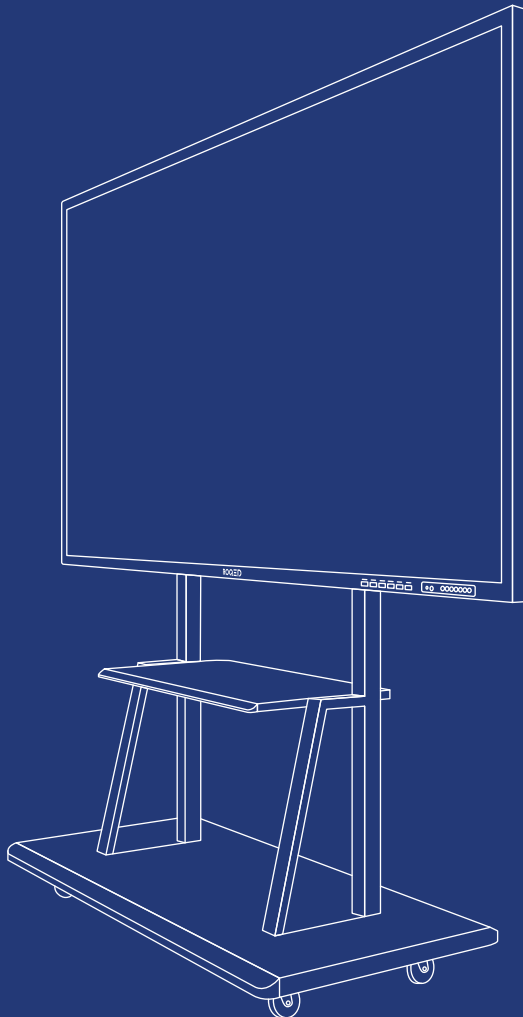


ALL IN ONE INTERACTIVE FLAT PANEL



STARTER GUIDE



CAUTION

01. Changes or modifications not expressly approved by the party responsible for compliance could void the user's authority to operate the equipment.
02. This user manual includes detailed usage instructions for your product. Please read this manual thoroughly.
03. Figures and illustrations in this user manual are provided for reference only and may differ from actual equipment appearance.

Table of Contents

- 01. Important information and caution
- 02. How to install
- 03. Input/ Output Ports
- 04. Quick use guide
 - 4.1 Free accessories
 - 4.2 How to turn on-off device
 - 4.3 How to Install WIFI antenna
 - 4.4 How to connect PC
- 05. Troubleshooting Guide

01.

Important information and safety notices

1. Please read all instruction manuals carefully before using and keep it for future reference.
2. Adult supervision is recommended at always when children are operating the equipment.
3. Install the devices on a stable and safe place to prevent falls and injuries. When installing the device on a wall, ensure to install it on the product by the method recommended by the manufacturer.
4. Keep the product away from high temperature and humidity environment.
5. Regular cleaning can prolong the service life of the machine. Before cleaning, ensure that equipment is turned off and cooled down to an appropriate temperature.
6. To remove dirt or dust from the machine case, wipe with soft, dry, flannelette. Be sure not to use wet cloth.
7. Unplug the power to prevent any damage caused by lightning or radio waves.
8. Do not use attachments which are not recommended by the manufacturer. Use of improper attachments can result in accidents. If machine need to repair, make sure the replacement the same characteristics and performance as the original parts. Use of unauthorized parts can result in fire, electric shock or other danger.
9. When damage requiring service, just unplug the power cord from the AC. Do not open the machine arbitrarily. If you have any questions, please contact us.

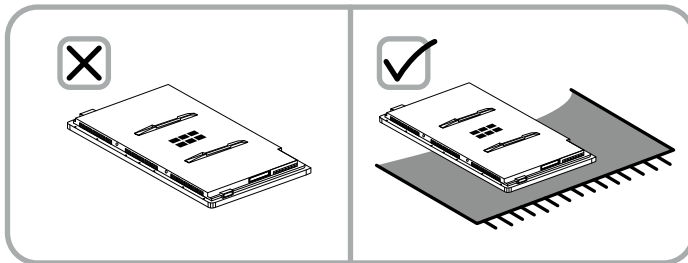
02.

How to install

2.1 How to Wall Mount a flat panel

Step 1

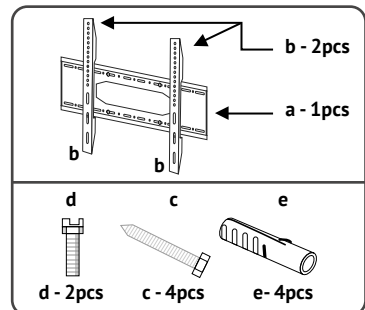
Please put the equipment on a flat surface (down the screen), between the equipment and the mesa, there should be a soft object space (e.g. rubber pad, cotton, foam, etc.) to avoid the equipment surface to be bruised:



Step 2

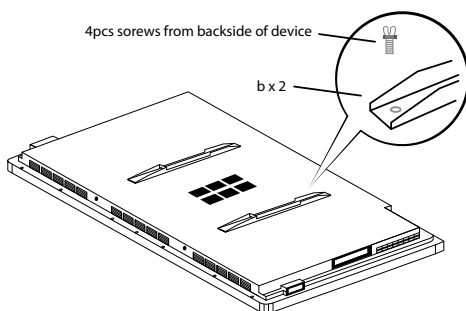
Please check the assembling accessories before installing. Different model and size different accessories. The picture is for reference only; the specific kind prevail. Please refer the following pictures to installing.

Part Name	Qty	Code
Hanging plate	1	a
Hanging arm	2	d
7*52 Screws	4	c
10*80 Screws	2	d
10 mm Expansion rubber plug	4	e



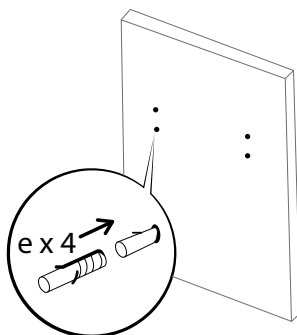
Step 3

Take out 4pcs screws from inside the backside of device, add 2pcs hanging arm b on the relevant place, turn 4pcs screws tightly to fasten b. Then put the 2pcs screws d into the associated location, no fixed temporarily.



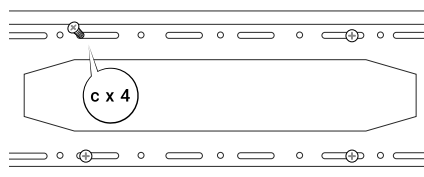
Step 4

Advising to choose solid wall or concrete wall, use hanging plate a to adjust the reached height, confirming 4 holes, it is recommended to use 10 mm drill bit punch, hole depth is greater than the sum of inflation rubber plug length plus the wall surface coating thickness. Put 4pcs e into holes completely by hammering. If it is not tightening, need to replace the right drill bit. As shown below:



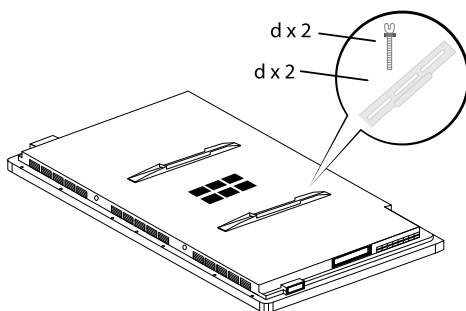
Step 5

Turning 4pcs screws c into 4pcs e to fasten a by screwdriver. As shown below:



Step 6

Place the device horizontally and vertically by hanging arm on the wall panel. Adjusting the device in the middle of hanging plate a. Finally turn the 2pcs screws d to fix the device.



2.2 How to install floor stand (optional)

32-60 inch advise to use small floor stand. 65-98inch advise to use big floor stand.

Please Repeat steps from 1 to 3 the previous Wall Mount

Step 4

Assembling 4pcs wheels **(i)** into base plate **(h)** by only turning.

Step 5

Connecting 2pcs holder's **(f)** and base plate **(h)** by turning 4pcs **s1-k2**, no fixed temporarily. (In order to better assemble middle plate and hanging plate)

Step 6

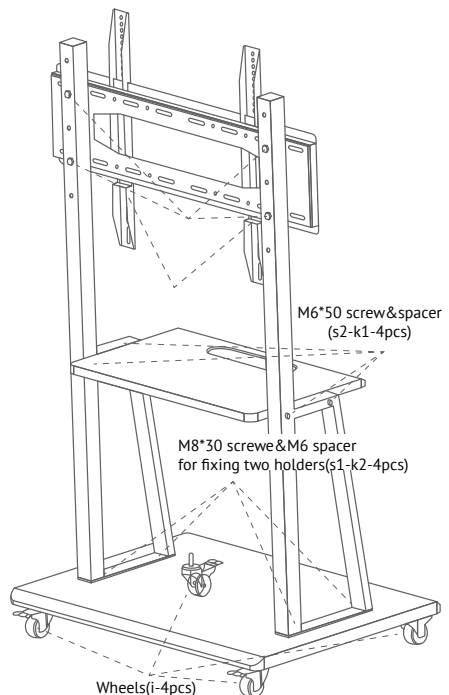
Fasten middle plate **(g)** and 2pcs holder's **(f)** by turning 4pcs **s2-k1**, then fasten hanging plate **(a)** and 2pcs holders **(f)** by turning 4pcs **s3-k2-j**

Step 7

Fasten 4pcs screws **s1-k2** under the base plate by wrench.

Step 8

Place the device horizontally and vertically by hanging arm on the wall panel. Adjusting the device in the middle of hanging plate **(a)** . Finally turn the 2pcs screws **s4** to fix the device.



DISCLAIMER

According to the following situation (one of the following), the company does not assume the responsibility for free warranty.

- Incorrect using methods, product damage caused by violation of product instructions.
- Unauthorized alteration or maintenance.
- Hardware damage caused by improper assembly.
- Exceeding the permitted using environment.
- Because of the abnormal external forces.
- Natural disaster or other irresistible force.
- Unable to provide valid purchase vouchers.

Any personal or property damage caused by any improper installation or improper use, we do not assume the responsibility.

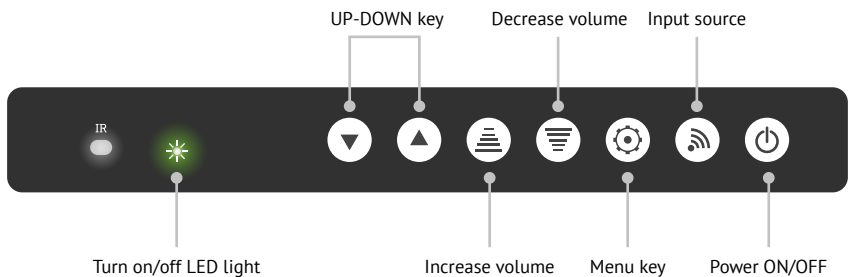
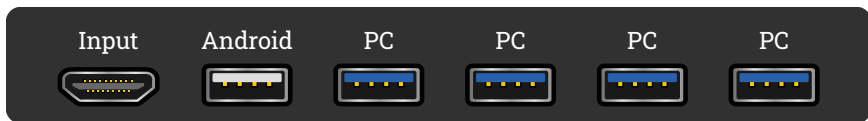
If you have any questions about installing stand, please contact our after-sales service dep. anytime.

03.

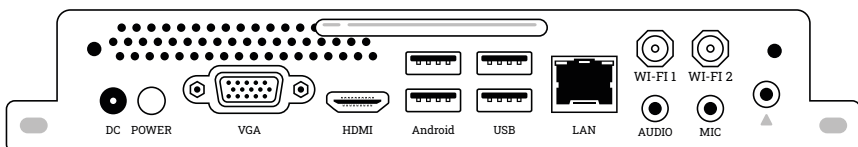
Ports and keys instructions

- 1. Size: > 65inch (include 65inch type B)
- Type: B
- Operation system: Windows + Android (Dual O/S)

1.1 Introduction of front keys and ports



- 1.2 Introduction of OPS port (Take Intel i5 as an example, the picture is for reference only, the specific kind prevail)



04.

Quick use guide

4.1 Free accessories list If any items missed or damaged, please contact your customer service immediately.

CONTENTS:

No	Part	Qty
1	Wall mounted stand	1set
2	Screws	1bag
3	Antenna	2pcs
4	Remote control	1pcs
5	Writing pen	1pcs
6	User manual	1pcs
7	HDMI (optional)	1pcs
8	Floor stand (optional)	1pcs
9	Floor stand quick installing guide (optional)	1pcs

4.2 How to turn on-off device

Insert the plug in a socket, turn on side power key, the front power light which on the right of device turn green, that shows device turn on successfully.

Press the front power key on the right of device or press remote control power key, the power light turns red, which shows the device turn off, after that, please unplug

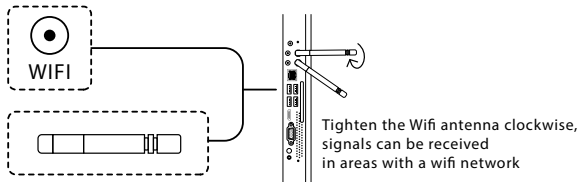
NOTES:

1. Avoiding restarting many times in a short time.
2. Different size different appearance, the side power key maybe different location, please refer to the specific device.



4.3 How to install WIFI antenna

Directly turning WIFI antenna on the antenna location tightly, the pictures is only for reference, specific WIFI location and quantity please refer to real object.

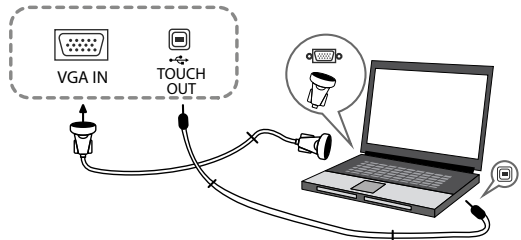


4.4 How to connect PC

There are two methods to connect PC, one is by VGA cable (prepared by yourself), another is by HDMI cable (prepared by yourself or free accessory)

Method 1

Connect device VGA input port (on the right of device) and PC VGA port by VGA cable.



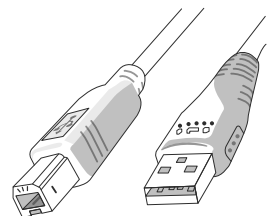
Method 2

Connect device HDMI input port (on the right of device or on the front of device) and PC HDMI port by HDMI cable.

Advising that if use front HDMI input port, the cable ≤ 3 M, if use side HDMI input port, the cable ≤ 5 M

NOTES:

If need touch screen function, please connect device USB touch out port (on the right of device) and PC USB port by USB cable. (Please refer to method 1 picture)

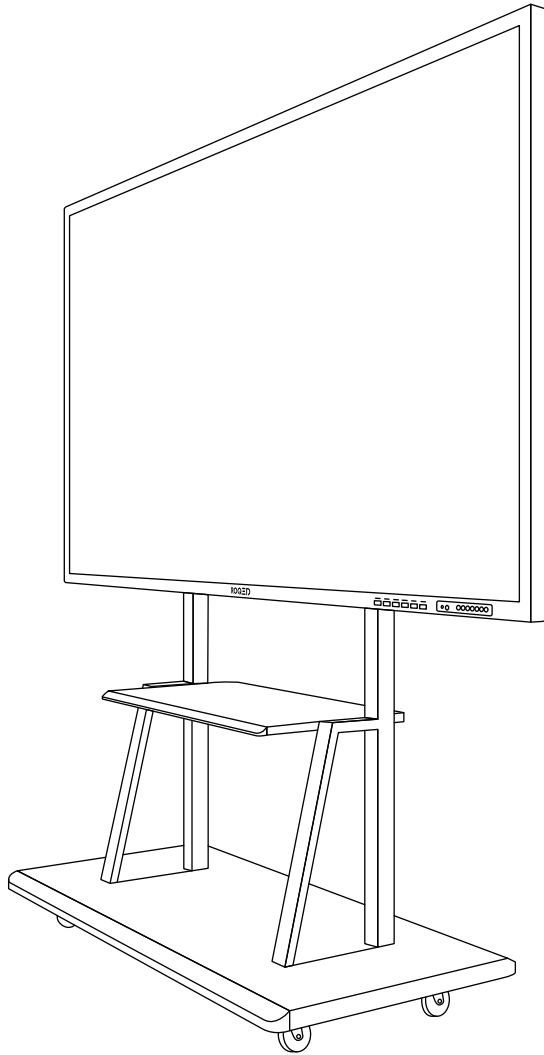


05.

Troubleshooting Guide

Problem	Solution
No power	<ol style="list-style-type: none">1. Please check power socket, whether plug into the socket.2. If still no power, please unplug waiting 1 minute, restart to plug and turn on device again or contact to the manufacturer
No signal on the blue screen	<ol style="list-style-type: none">1. Please see 4.2 how to turn on-off device, restart.2. If the device size is 32inch, please press PC key on the front of device.
Pictures is clear but no voice (PC mode)	<ol style="list-style-type: none">1. Check the device is under mute state.2. Choose the audio icon on the right of screen desktop--right click-- broadcast equipment--appear two loudspeakers--choose the one that no checking--confirming
The voice is loud, but screen color is not good	Please add the brightness and contrast ratio
The WIFI cannot connect in Windows system	<ol style="list-style-type: none">1. Check whether the WIFI antenna connect well or not2. Check whether install WLAN card driver, if not, please download, then install by USB.

Have a question about your Panel? Contact us 24 hours a day 7 days a week for the best customer service!





CONTACT INFORMATION

 205 Henderson Rd, Singapore 159549
Singapore International Business Hub

 E-mail: info@roqed.com

 Contact support e-mail: support@roqed.com



www.roqed.com